

# 240W

LED  
Commercial  
Flood Light



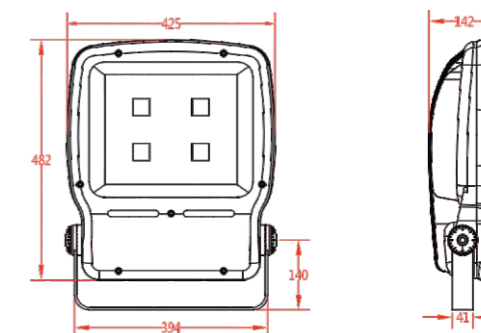
## Features

- Rated Voltage: AC 100V-277V, Operating frequency: 50-60HZ. Power factor > 0.8.
- High efficiency Samsung LED, patented technology for LED integrated.
- Protection level reaches to IP65, Insulation Class: CLASS 1.
- Die-casting part is high quality aluminum alloy with high thermal conductivity.
- 3.5mm lead-free super-white toughened glass.
- LED driver efficiency up to 91%; Constant current accuracy 5%; LED works more stable.



## Performance Summary

- 240W LED Floodlight, 100lm/W, equivalent to 750W Metal Halide
- High performance Samsung LED
- Outdoor Application, IP65
- Color temperature: 3000K 4000K 5000K 6000K
- Certificate: UL/CUL Listed pending FCC, CE, RoHS
- 5 Year Warranty



## Specification

Color Accuracy (CRI)	Material	Beam angle
≥70	Al + PC	120°

PART NUMBER	Power	Color	Track Color	Input Voltage
BL-FL21-240W-277-XX	240W	5000K	White	AC85-265V